

Latch type toggle clamps

Steel / Stainless Steel, heavy duty type

SPECIFICATION

Types

- Type **T2**: with mounting holes, with U-bolt latch, with catch
- Type **T**: with mounting holes, without U-bolt latch, with catch
- Type **T2S**: for welding, with U-bolt latch, with catch
- Type **TS**: for welding, without U-bolt latch, with catch

Version in Steel

Body / catch / clamping lever
Steel C22

- forged
- black lacquered (Type T2 / T)
- blackened (Type T2S / TS)

U-bolt latch / bearing pin
Steel St 37
zinc plated, blue passivated

All moving parts
lubricated with special grease

Version in Stainless Steel NI

Body / catch / clamping lever / U-bolt latch
Stainless Steel AISI 304
forged

Other parts
Stainless Steel AISI 303

All moving parts
lubricated with special grease

TECHNICAL INFORMATION

- Stainless Steel characteristics (see page A26)

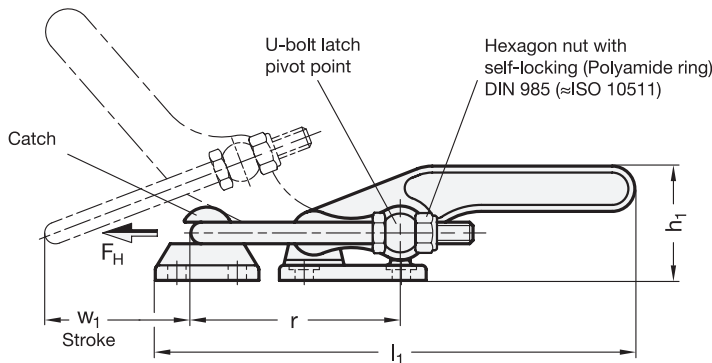


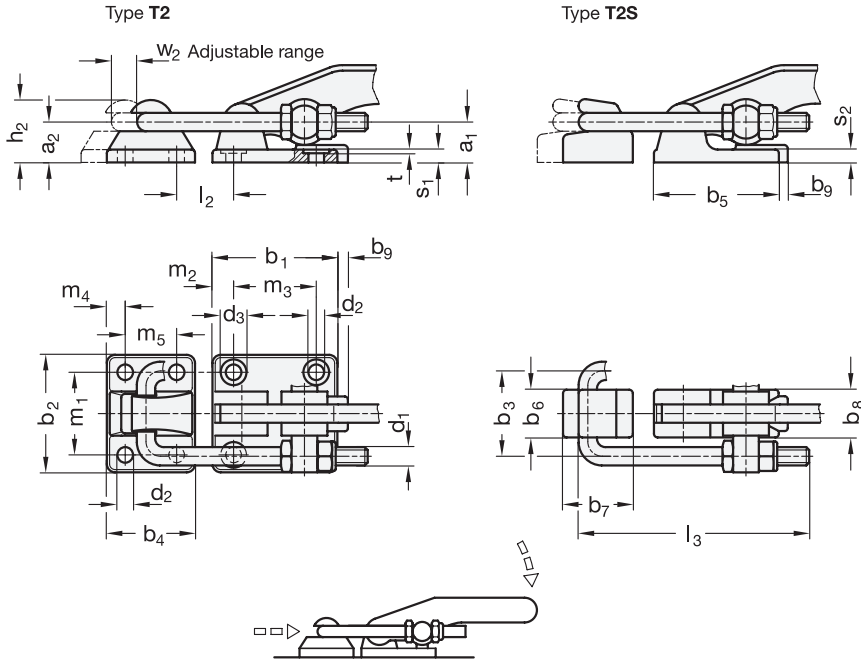
INFORMATION

GN 852 heavy duty latch type toggle clamps are used for very high holding forces as may be required in plastic high pressure mold forming.

The stroke of the U-bolt latch can be adjusted within its range. In addition to the standard lengths of the U-bolt latches shown in the table, a variety of other lengths are also available under the GN 951.2 series (see page 1605).

- General information for toggle clamps (see page 1560)





GN 852

Description	Size	FH in N	a1	a2	b1	b2	b3	b4	b5	b6	b7	b8	b9	d1	d2	d3	h1 ≈	h2	l1 ≈	l2 min.	l3 ≈	m1	m2	m3	m4	m5	r ≈	s1	s2	t	w1	w2 ≈	⚖
GN 852-1700-T	1700	17000	-	-	68	64	46	48	-	-	28	6	M10	8.5	14	55	34.5	223	33	129	45	11.5	45	10	28	96	7	-	2	54	15	954	
GN 852-2800-T	4000	40000	-	-	85	80	55	60	-	-	32	-	M12	10.5	16	65	42.5	265	32.1	151	57	14	57	12.5	35	117	9	-	2	78	15	1700	
GN 852-1700-T2	1700	17000	22	21	68	64	46	48	-	-	28	6	M10	8.5	14	55	34.5	223	33	129	45	11.5	45	10	28	96	7	-	2	54	15	1100	
GN 852-2800-T2	4000	40000	28	27	85	80	55	60	-	-	32	-	M12	10.5	16	65	42.5	265	32.1	151	57	14	57	12.5	35	117	9	-	2	78	15	2000	
GN 852-1700-TS	1700	17000	-	-	-	-	46	-	68	26.5	38	28	6	M10	-	-	55	34.5	218	-	129	-	-	-	-	96	-	7	-	54	15	225	
GN 852-2800-TS	4000	40000	-	-	-	-	55	-	80	32	50	32	-	M12	-	-	65	42.5	265	-	151	-	-	-	-	117	-	12.7	-	78	15	1433	
GN 852-1700-T2S	1700	17000	22	21	-	-	46	-	68	26.5	38	28	6	M10	-	-	55	34.5	218	-	129	-	-	-	-	96	-	7	-	54	15	900	
GN 852-2800-T2S	4000	40000	28	27	-	-	55	-	80	32	50	32	-	M12	-	-	65	42.5	265	-	151	-	-	-	-	117	-	12.7	-	78	15	1500	

GN 852-NI

STAINLESS STEEL

Description	Size	FH in N	a1	a2	b1	b2	b3	b4	b5	b6	b7	b8	b9	d1	d2	d3	h1 ≈	h2	l1 ≈	l2 min.	l3 ≈	m1	m2	m3	m4	m5	r ≈	s1	s2	t	w1	w2 ≈	⚖
GN 852-1700-T-NI	1700	14000	-	-	68	64	46	48	-	-	28	6	M10	8.5	14	55	34.5	223	33	129	45	11.5	45	10	28	96	7	-	2	54	15	900	
GN 852-2800-T-NI	4000	30000	-	-	85	80	55	60	-	-	32	-	M12	10.5	16	65	42.5	265	32.1	151	57	14	57	12.5	35	117	9	-	2	78	15	1851	
GN 852-1700-T2-NI	1700	14000	22	21	68	64	46	48	-	-	28	6	M10	8.5	14	55	34.5	223	33	129	45	11.5	45	10	28	96	7	-	2	54	15	1100	
GN 852-2800-T2-NI	4000	30000	28	27	85	80	55	60	-	-	32	-	M12	10.5	16	65	42.5	265	32.1	151	57	14	57	12.5	35	117	9	-	2	78	15	2115	
GN 852-1700-TS-NI	1700	14000	-	-	-	-	46	-	68	26.5	38	28	6	M10	-	-	55	34.5	218	-	129	-	-	-	-	96	-	7	-	54	15	756	
GN 852-2800-TS-NI	4000	30000	-	-	-	-	55	-	80	32	50	32	-	M12	-	-	65	42.5	265	-	151	-	-	-	-	117	-	12.7	-	78	15	1421	
GN 852-1700-T2S-NI	1700	14000	22	21	-	-	46	-	68	26.5	38	28	6	M10	-	-	55	34.5	218	-	129	-	-	-	-	96	-	7	-	54	15	900	
GN 852-2800-T2S-NI	4000	30000	28	27	-	-	55	-	80	32	50	32	-	M12	-	-	65	42.5	265	-	151	-	-	-	-	117	-	12.7	-	78	15	1670	

